

**MEESONS**

PRODUCT PACK

# EasyGate Superb

Within this product pack, you will find renders, drawings, technical specifications and technical dimensions of the above product.

Protecting your space.  
Powering your business.

# Why choose an EasyGate Speedgate?

Our EasyGate Speedgates offer the ultimate standard of both protection and elegance. Whether seamlessly blending in with your building's surroundings or making a bold statement, our gates enhance any reception area or office space, adapting to your design vision without compromise. With advanced tailgating capabilities and anti-climb sensors, they offer a secure solution for managing the flow of people in high-throughput areas, adapting to your ever-changing access needs. Their slimline and sleek design provides a modern entrance experience that combats overcrowding without compromising on safety: a smooth experience for users, a secure experience for you.

## Ideal for...

### Your considerations

EasyGate Speedgates provide both security and style with high operational speeds and complete access control. They guarantee user safety and secure areas during peak times and high-traffic scenarios. Efficiently engineered, they can be installed side by side or alongside turnstiles or entrance gates to optimise traffic flow for busy buildings. These speed gates have a minimal design that, when integrated with a visitor management system, provides an effective layer of security suitable for various working environments.

### Fine-tuned to your needs

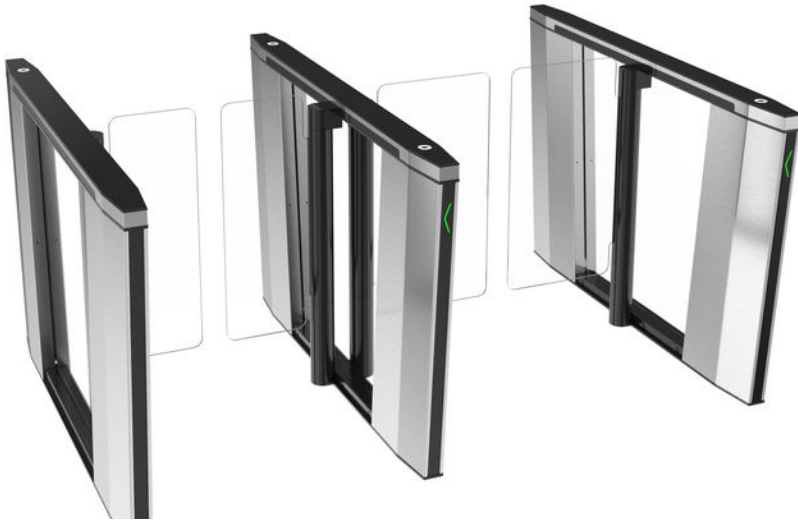
Our team provides customised solutions to meet your security and aesthetic needs. Our EasyGate Speedgates offer slim and stylish designs that blend with any architectural setting and a range of finishes to match your surroundings. When connected to your visitor management system, light guidance, adjustable glass wing heights, and anti-vault detection enhance security and user experience.

### Benefits to your business

- High-throughput security
- Anti-tailgating prevention
- Climb-over prevention
- Aesthetic secure line
- High integration capability
- Integrates with most access control
- Highly customisable

### Benefits to users

- Fast and secure access
- Ability to use biometrics
- Intuitive to use
- Aesthetically pleasing
- Adds a feeling of safety
- Wheelchair access EA



**cominfo**  
security first

Easygate

# Superb

The Easygate Superb is the slimmest fully equipped speed gate in the market, offering a smooth and secure entrance experience. It has intuitive light guidance and optional high-glass wings for increased security. It can feature a card collector with a return function, a lift call display, and a QR/barcode scanner to prevent tailgating and ensure controlled transits.

## Business benefits

- ✓ Anti-tailgating
- ✓ Highly customisable
- ✓ Ultra slim design - 99mm
- ✓ Intuitive light guidance
- ✓ Easy to integrate with access control

## Key Features



Connectivity



Medium Security



Customisation



DDA



High Throughput



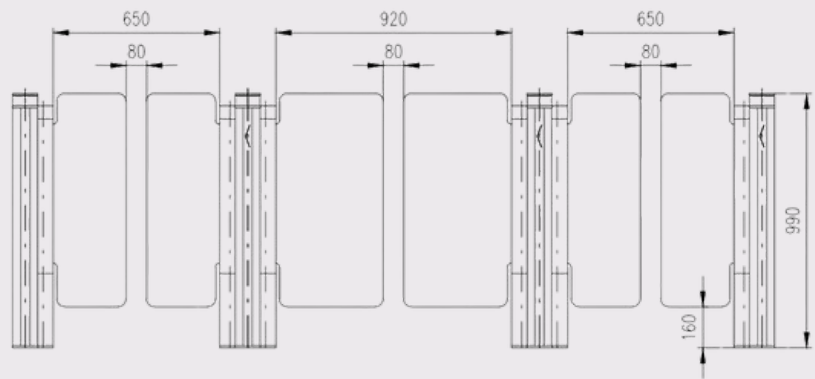
Touchless

# Technical Dimensions

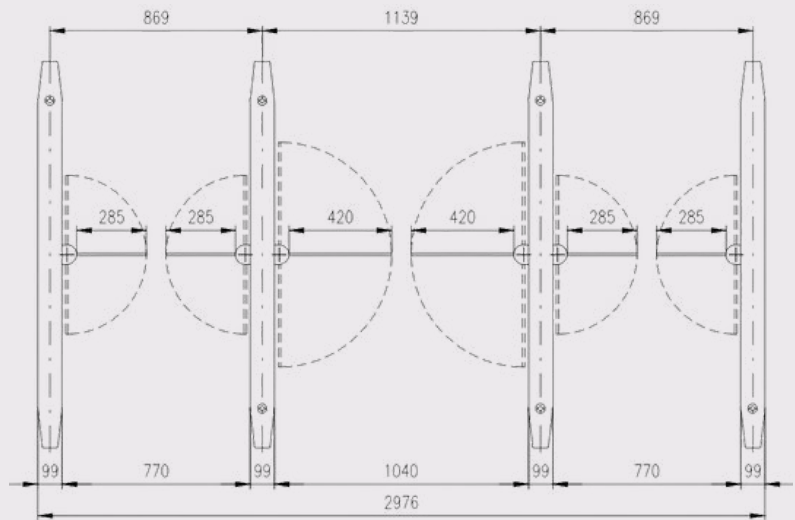
**DIMENSIONS**

<b>Cabinet Height</b>	990mm
<b>Cabinet Length</b>	1580mm
<b>Cabinet Width</b>	99mm
<b>Barrier Height</b>	990mm - 1800mm
<b>1 Wing Passage Width</b>	Standard 550mm, Max 600mm
<b>2 Wing Passage Width</b>	1400mm Wings Max 1100mm 1600mm Wings Max 1000mm 1800mm Wings Max 920mm

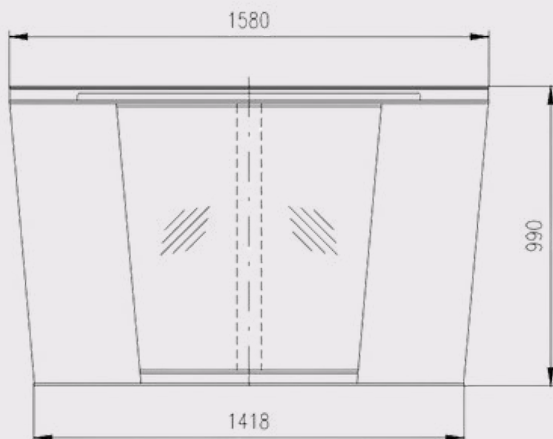
**Front View**



**Top View**



**Side View**



**Indicative layout only.**  
For additional glass height and set-up dimensions, please speak to a Meesons representative.

# Technical Specification

- Standard Feature
- Option
- × Not Available

	Standard Feature	Options
<b>Operation</b>		
Power Supply	230V AC/13.8V DC/ 24V AC/ 230V AC	
Range of Operating Temperature	+10°C to +50°C, -25°C to +50°C with heating module	
Communication Interface	RS-485/ USB/ Ethernet	
Operating Environment	Indoor	
Control Panel		EasyTouch, Touch panel, TMON control panel, RF remote control
<b>Safety and Security</b>		
Sensors	24 Pairs	
Detection	Tailgating, cross over and climb over detection	WAV Player
Emergency Mode	Open manually or automatically	Power back-up
MCBF	5,000,000 cycles (Based on recommended maintenance schedule)	
<b>Materials and Design</b>		
Wings	Glass Wing (10mm, tempered)	Glass manifestation
Base and Housing	Brushed Stainless Steel	RAL powder coated steel, Black/ Gold/ Bronze Stainless Steel
Top Lid	Black Glass Panel	Bespoke top lid
Cabinet Design	Tapered	
<b>Technology</b>		
Access Control		Integrated 3rd party terminals – lift controller/ ticket readers/ biometrics
Visitor Management		Integrated visitor card collector
Access Control		EasyScan
Lift Call Destination		Lift Call Mini



“As part of the refurbishment we identified that security barriers were required in the reception to provide secure access to the building for our varied clients. From the initial meeting to the final installation everything went smoothly. The Meesons team worked well to overcome some of the challenges that arose during the installation. Overall, we are really happy with the end result and feel the lanes fit well with the aesthetics of the reception.”

Client Representative

**Meesons AI Ltd**  
Cardea House  
Sidings Business Park  
Skipton, Yorkshire  
BD23 1TB  
United Kingdom

[meesons.com](https://meesons.com)